

METRONOME MODE

1. Press the power/play button to turn the CTM-40 on.
2. Press and hold the mode button to switch to metronome mode.
3. Press the beat button briefly to choose down beats per measure: 0 through 9.
4. Press the rhythm button to choose a rhythm style:



5. Press the tempo buttons to choose appropriate tempo, from 30 to 250 beats per minute.
6. Press the power/play button to start/stop the metronome.
7. Pressing power/play again will turn off the sound and allow only the meter and lights to function.
8. Press and hold the mode button to switch back to tuner mode.
9. Press and hold the power/play button to turn off the CTM-40.

INSTALLING BATTERY

1. Turn the CTM-40 over.
2. Remove battery cover by pressing on the thumb grip and sliding the cover off.
3. Follow polarity guidelines when installing batteries.
4. If the tuner malfunctions when new batteries are installed and you cannot correct the problem by turning the power off and then on again, remove and reinstall the batteries.

PRECAUTIONS/SAFETY

Environmental conditions

Using the tuner in these conditions may result in tuner malfunction:

- Direct Sunlight
- Extreme temperature or humidity
- Extreme dust or dirt
- Excessive vibration
- Proximity to magnetic fields

Battery

Turn the power switch off when not in use to preserve battery life. Remove battery during extended periods of non-use to prevent battery leakage into the unit.

Interference

Operate this device at a suitable distance from televisions and radios to prevent interference.

Handling

Do not apply excessive force to buttons or switches on this device. Use of excessive force may cause the device to malfunction.

Care

Do not use cleaning chemicals or cleaning liquids on the surface of this device.

Chemicals may cause damage to the finish or display screen. If cleaning is required, use a soft, dry cloth to wipe the surface.

Foreign Matter

Avoid using this device in close proximity to liquids. Liquids entering the device may cause malfunction, electrical shock or fire. Metal objects or particles can also cause malfunction, electrical shock or fire.

This device complies with Part 15 of the FCC rules. Operation is subject to the following two conditions: (1) This device may not cause harmful interference, and (2) this device must accept any interference received, including interference that may cause undesired operation. This Class B digital apparatus complies with Canadian ICES-003 CET.



WARRANTY

One (1) Year Limited Warranty and Remedies

Subject to the limitations below, DeltaLab® warrants to the original owner that the components of this product are free from defects in workmanship and materials, subject to normal use and service, for one (1) year from the date of purchase. DELTALAB® MAKES NO OTHER WARRANTIES, EXPRESS OR IMPLIED, INCLUDING, BUT NOT LIMITED TO, ANY IMPLIED WARRANTY OF MERCHANTABILITY OR FITNESS FOR A PARTICULAR PURPOSE OR ANY IMPLIED WARRANTY ARISING OUT OF A COURSE OF DEALING, CUSTOM OR USAGE OF TRADE.

User is responsible for determining whether this product is fit for a particular purpose and suitable for user's application. If the product is defective within the warranty period, user's exclusive remedy and manufacturer's sole obligation will be, at its option, to replace the product or refund the purchase price. Except where prohibited by law, manufacturer and

seller will not be liable for any loss or damage arising from the product, whether direct, indirect, special, incidental or consequential, regardless of the legal theory asserted, including warranty, contract, negligence or strict liability.

DeltaLab, P.O. Box 5111,
Thousand Oaks, CA 91359-5111

California Prop 65 Warning: This product may contain a chemical(s) known to the state of California to cause cancer or birth defects or other reproductive harm.

All trademarks and registered trademarks mentioned herein are recognized as the property of their respective holders.

Made in China

0710-9380

www.deltalabeffects.com

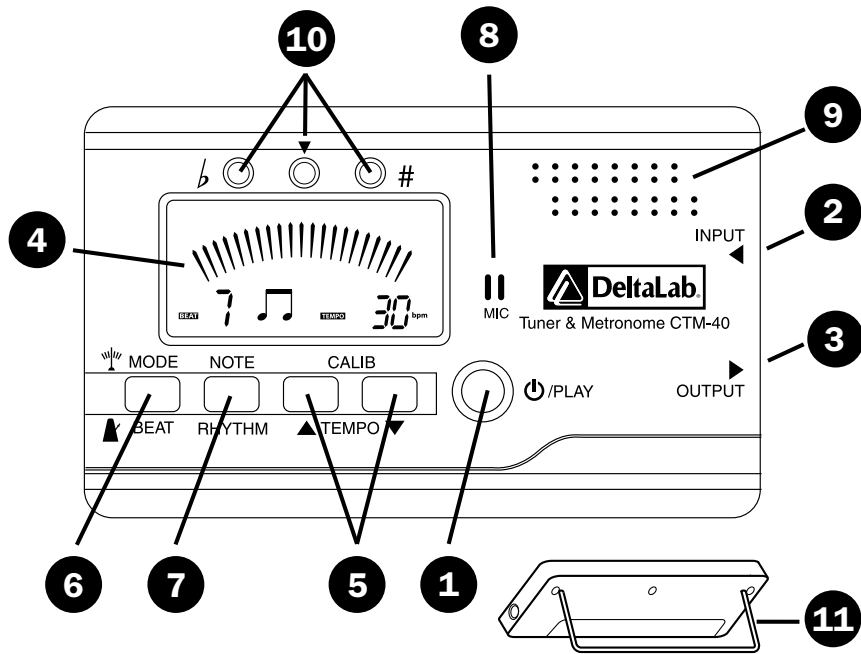
P.O. Box 5111
Thousand Oaks, CA 91359-5111
U.S.A.



CHROMATIC TUNER & METRONOME CTM-40 OWNER'S MANUAL



FEATURES



1. **POWER/PLAY switch** – Turns power on or off.
2. **INPUT jack** – Plug your guitar cable into this ¼” jack.
3. **OUTPUT Jack** – Plug a ¼” cable from this jack to your amp.
4. **DISPLAY** – Shows note, calibration adjustments, metronome, rhythm style, and tuning meter.
5. **CALIB/TEMPO buttons** – Adjusts tuner calibration & tempo up or down.
6. **MODE/BEAT buttons** – Switches from tuner to metronome & adjusts beats per minute.
7. **NOTE/RHYTHM buttons** – Adjusts pitch & rhythm styles.
8. **INTERNAL MIC** – Picks up acoustic sound from instrument (for tuning).
9. **SPEAKER** – Produces the audible tuning pitch.
10. **TUNING GUIDE LEDs** – Provides visual tuning guidance for sharp, flat, and “in tune.”
11. **TILT STAND** – Provides a tilt-up angle for easy display reading.

TUNING IN METER MODE

1. Press the power/play button to turn the CTM-40 on. The CTM-40 will automatically turn off when the tuner is not in use for 20 minutes.
2. If you are using an instrument with a pickup or contact mic, plug your instrument into the input jack. If you wish to tune your instrument using the built-in mic, do not connect a plug to the input jack.

While tuning with the onboard mic, a quiet environment is recommended for precise tuning.

Note: If a plug is connected to the input jack, the built-in mic is disabled. The input jack is for mono use only. *Stereo plugs cannot be used.*

3. When the power is turned on, the reference pitch defaults to A = 440 Hz . If you wish to change the reference pitch (calibration), press CALIB ▲or▼. This can be adjusted in 1 Hz steps over a range of 430Hz – 450 Hz.
4. Play a single note on your instrument. The name of the nearest note will be displayed.
5. Adjust the tuning of your instrument so that the meter moves to the 0 position (center) and the center (green) pitch guide LED is lit. The left indicator of the tuning guide will light if your instrument is flat, and the right indicator will light if your instrument is sharp.

TUNING IN SOUND MODE

1. Press the power/play button to turn the CTM-40 on.
2. Press the note button.
3. The reference pitch will be heard through the speaker.
4. Press the note button again to select the appropriate pitch. The note name will appear on the display.
5. Tune instrument to match the reference tone.

SPECIFICATIONS

Input Impedance:

680k Ohms

Indicator:

LCD Display

Connectors:

1/4” (6.3mm) Input and Output Jacks

Power Supply:

3 Volt (2 x AAA)

Power Consumption:

3mA (Metronome), 8mA (Tuner)

Expected Battery Life:

100 Hours Continuous Input (depending on use)

Accessories:

Owner’s Manual

Dimensions:

4.01”(102mm) Wide x 2.44”(62mm)

Deep x 0.55”(14mm) High

Weight:

2.54 oz (72g) (Including the batteries)