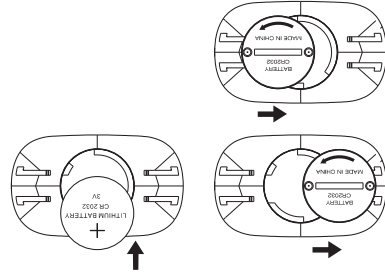


WARRANTY

One (1) Year Limited Warranty and Remedies

Subject to the limitations below, DeltaLab® warrants to the original owner that the components of this product are free from defects in workmanship and materials, subject to normal use and service, for one (1) year from the date of purchase. DELTALAB® MAKES NO OTHER WARRANTIES, EXPRESS OR IMPLIED, INCLUDING, BUT NOT LIMITED TO, ANY IMPLIED WARRANTY OF MERCHANTABILITY OR FITNESS FOR A PARTICULAR PURPOSE OR ANY IMPLIED WARRANTY ARISING OUT OF A COURSE OF DEALING, CUSTOM OR USAGE OF TRADE. User is responsible for determining whether this product is fit for a particular purpose and suitable for user's application. If the product is defective within the warranty period, user's exclusive remedy and manufacturer's sole obligation will be, at its option, to replace the product or refund the purchase price. Except where prohibited by law, manufacturer and seller will not be liable for any loss or damage



BATTERY

Each DeltaLab tuner is shipped with a fresh standard CR2032 3V button-cell lithium battery. If the screen flashes, replace the battery.

Rotate the battery cover counter-clockwise until the compartment opens. Press on the battery edge to pop the battery out. Replace the battery and rotate cover clockwise until it locks. Pay attention to polarity.

arising from the product, whether direct, indirect, special, incidental or consequential, regardless of the legal theory asserted, including warranty, contract, negligence or strict liability.

If you experience any problems with your DeltaLab product, please contact our toll-free customer service team at 1-855-450-3685.

California Prop 65 Warning: This product may contain a chemical(s) known to the state of California to cause cancer or birth defects or other reproductive harm.

All trademarks and registered trademarks mentioned herein are recognized as the property of their respective holders.

Made in China

1107-9624



This device complies with Part 15 of the FCC rules. Operation is subject to the following two conditions: (1) This device may not cause harmful interference, and (2) this device must accept any interference received, including interference that may cause undesired operation.

This Class B digital apparatus complies with Canadian ICES-003 CET.

Care
Do not use cleaning chemicals or cleaning liquids on the surface of this device. Chemicals may cause damage to the finish or display screen. If cleaning is required, use a soft, dry cloth to wipe the surface.

Foreign Matter
Avoid using this device in close proximity to liquids. Liquids entering the device may cause malfunction, electrical shock or fire. Metal objects or particles can also cause malfunction, electrical shock or fire.

Battery
Turn the power switch off when not in use to preserve battery life. Remove battery during extended periods of non-use to prevent battery leakage into the unit.

Interference
Operate this device at a suitable distance from televisions and radios to prevent interference.

Handling
Do not apply excessive force to buttons or switches on this device. Use of excessive force may cause the device to malfunction.

PRECAUTIONS/SAFETY

Environmental conditions
Using the tuner in these conditions may result in tuner malfunction:
• Direct Sunlight
• Extreme temperature or humidity
• Extreme dust or dirt
• Proximity to magnetic fields



WWW.DELTALABEFFECTS.COM

CHROMATIC CLIP-ON TUNER CT-10 OWNER'S MANUAL

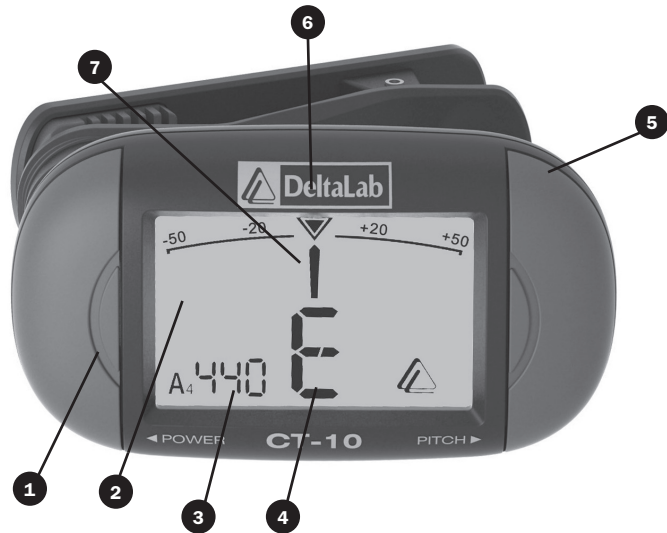


PRODUCT DESCRIPTION

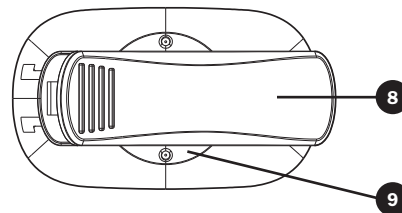
The DeltaLab CT-10 is a full-featured clip-on tuner in an advanced, portable design. The bright, clear display rotates for easy viewing while performing on stage or in the studio.



FEATURES



1. **Power/Play Button** – Turns power on or off.
2. **Display** – Shows note, calibration adjustments and tuning meter.
3. **Calibration Frequency indicator** – Displays current “A” note calibration.
4. **Note Indicator** – Displays current note being played.
5. **Calibration Button** – Adjusts tuner calibration.
6. **Tuning Guide Indicator** – Provides visual tuning reference for sharp, flat, and “in tune.”
7. **Tuning Needle** – Shows precise indication of current pitch .
8. **Tuner Clip** – Attaches tuner to instrument and picks up vibrations from instrument (for tuning).
9. **Battery Cover**



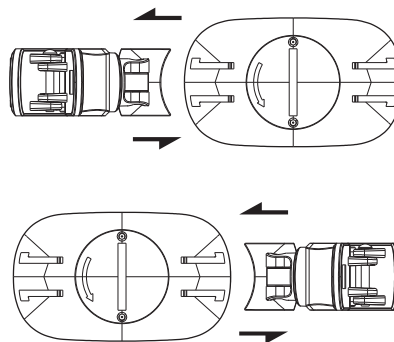
TUNING IN METER MODE

1. Clip the CT-10 on to your instrument in a place where it will pickup the vibrations of the instrument such as the headstock of a guitar.
2. Press the power button to turn the CT-10 on. (Pressing the power button again will turn off the CT-10.)
3. When the power is turned on, the reference pitch defaults to A = 440 Hz . If you wish to change the reference pitch (calibration), press the Calibration button to increase the reference pitch in 1 Hz steps over a range of 415Hz – 466 Hz. Once the pitch reaches 466Hz, it will start over at 415Hz.
4. Play a single note on your instrument. The name of the nearest note will be displayed.
5. Adjust the tuning of your instrument so that the meter moves to the 0 position (center) and the center of the triangle fills in with black. The tuning needle will be to the left of center if your instrument is flat, or to the right of center if your instrument is sharp.

REVERSING THE TUNER CLIP

The CT-10 has a reversible tuner clip. This allows the clip to be used on the front of a guitar headstock or the back of a guitar headstock on either right or left handed instruments. Reversing the clip is a quick and easy procedure.

1. Turn over the CT-10 so that you are looking at the clip side of the tuner.
2. Hold the tuner body with one hand and gently slide the clip away from the tuner body with your other hand.
3. Rotate the tuner body clockwise 180 degrees.
4. Gently slide the clip back into the guides on the other side of the rear of the CT-10.



SPECIFICATIONS

- Indicator:** LED Display
- Tuning Range:** A₀ (27.5 Hz) - C₈ (4186 Hz)
- Tuning Mode:** Vibration
- Response Time:** <20ms
- Precision:** +/- 1 cent
- Calibration:** 415Hz - 466Hz
- Power Supply:** 3 Volt
(CR2032 Lithium Battery)
- Power Consumption:** <16mA
- Accessories:** Owner's Manual
- Dimensions:** 2.44”(62mm) Wide
x 1.3”(33mm) Deep x 1.5”(38mm) High
- Weight:** .91 oz (26g)